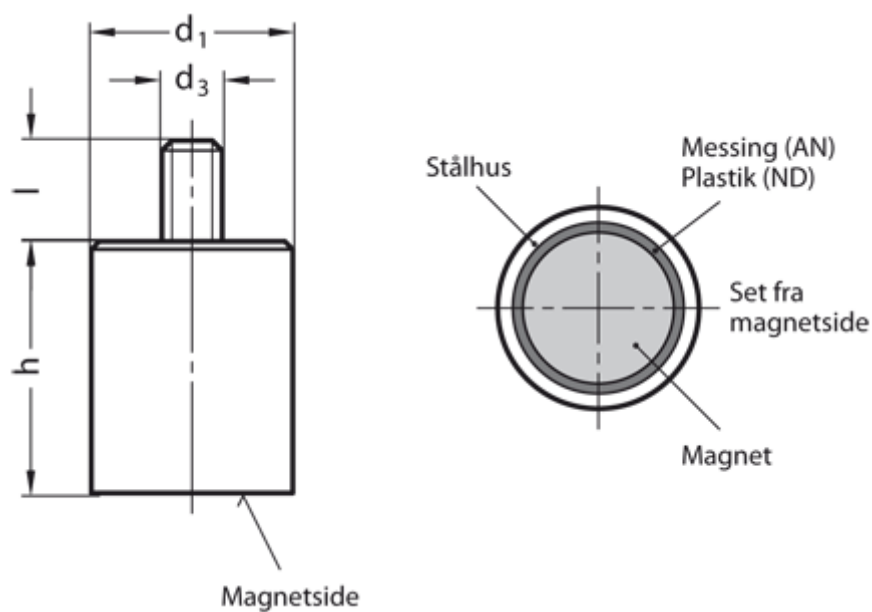


Article number: 201242442

Description: E+G Retaining magnets with threaded stud GN 52.4-ND-32-M8-E  
Neodymium, iron, boron - 80° C, 340N

## Measures



$d_1$  = 32

$d_3$  = M8

$h$  =  $40 \pm 0,2$

Holding force N = 340.0

$l$  = 12

Material = ND Neodym, iron, boron, 80°C